

UNITED®

USER'S MANUAL
for
MICA HEATERS
UHM-876 / UHM-877

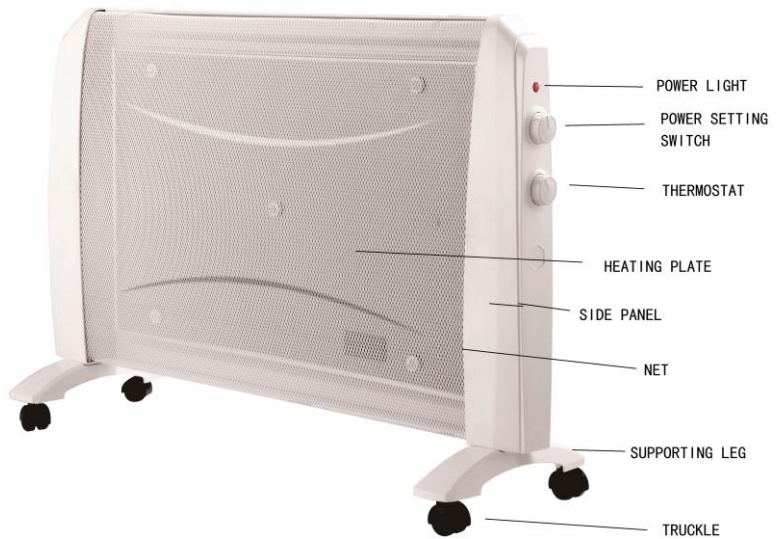


This product is only suitable for well insulated spaces or occasional use.

Please read this instruction manual carefully before operation!

Keep in a safe place for future reference.

I . Product Appearance



II . Main Technical Date

Model	Rated Voltage	Rated Frequency	Rated Power
UHM-876	220-240V	50Hz	2000W
UHM-877	220-240V	50Hz	2000W

III .Precaution Items For Safe Use

- 1) Please read the product manual carefully before using the heater.
- 2) Insert the plug into the socket (requirements for socket and power cord: AC 220-240V, 50/60Hz, $\geq 10A$). The heater must not be located below a fixed socket.
- 3) Please operate according to the instructions of the manual. Any unrecompensed operation can cause fire, short circuit and personal injuries.
- 4) Unauthorized extension of power cord is not allowed to avoid fire caused by overheating of the extension part.
- 5) In order to prevent short circuit, fire or damages to the appliance, never

insert any article into the heater or block the cooling net.

- 6) Since the heater can generate heat, do not touch the hot surface with uncovered human body to prevent burns. Grab the plastic handle at the rear to move the heater when necessary. In case that children, animals or lame people and people lacking self-discipline are on the spot and left unattended, avoid using the appliance.
- 7) Never use the heater outdoors.
- 8) Do not use this heater in the immediate surroundings of a bath, a shower or a swimming pool
- 9) Do not use the appliance in area where gasoline, paint and flammable liquid are used to stored.
- 10) Never cover anything on the heater during use.
- 11) To avoid current overload, do not share the use of a single socket with other appliances.
- 12) The heater must not be located below a fixed socket.
- 13) If the power cord is damaged, it must be replaced by the manufacturer or its maintenance agent or a similarly qualified person in order to avoid potential hazards.
- 14) Never use the product with automatic power-on programmer, timer or other types of installations.
- 15) In case of product failure, please contact after-sales service agent for inspection and repairing. Unauthorized disassembling and replacement of parts are not allowed.
- 16) The product shall be packed properly to prevent it from dust and kept in a well-ventilated, dry place.

CAUTION:

This appliance is not intended for use by persons (including children) with reduced physical, sensory or mental capabilities, or lack of experience and knowledge, unless they have been given supervision or instruction concerning use of the appliance by a person responsible for their safety.

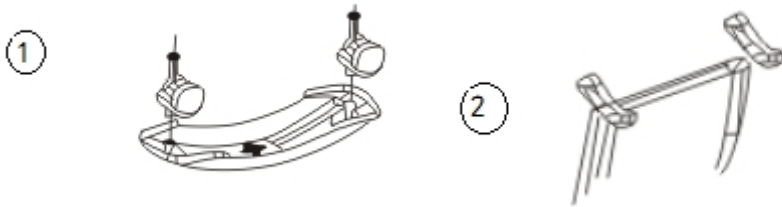
Children should be supervised to ensure that they do not play with the appliance.

Children of less than 3 years should be kept away unless continuously supervised.

Children aged from 3 years and less than 8 years shall only switch on/off the appliance provided that it has been placed or installed in its intended normal operating position and they have been given supervision or instruction concerning use of the appliance in a safe way and understand the hazards involved. Children aged from 3 years and less than 8 years shall not plug in, regulate and clean the appliance or perform user maintenance.

IV . How to install

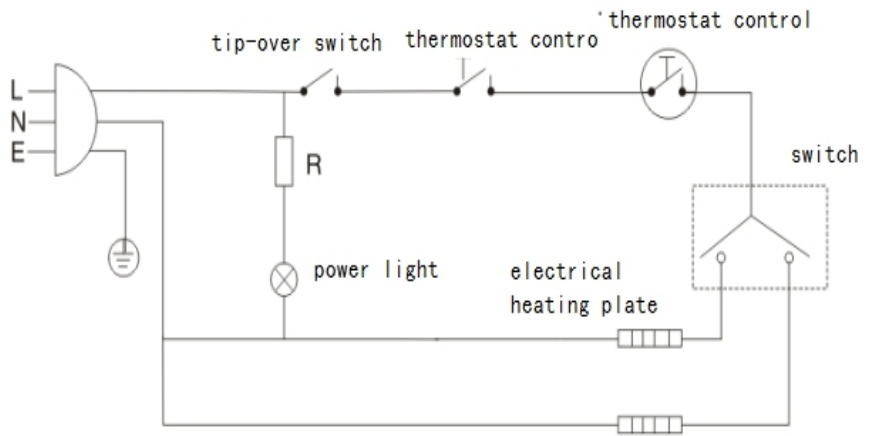
Firstly, take the heater out the package and place it upside down on soft surface. Secondly, take four screws from the accessories (two screw for each castor, parallel the bevel of castor bracket to the bevel of the heater, if installed reversely, the screw cannot be revolved in.) and aim them at the taps to tighten them. Thirdly, Then just upright the heater and put it into use. You may refer to the following figure.



OPERATION

- 1) Room temperature can be adjusted using the thermostat. Simply turn the thermostat knob clockwise, to increase the heater, and anti-clockwise to decrease the temperature, until you reach the desired temperature.
- 2) Switch the heater to one of the following power settings.
 - Push switch one (I) for 1000W
 - Push switch two (II) for 2000W
- 3) The power switch lights up when activated.
- 4) Turning the thermostat control clockwise will increase the “set” temperature.
- 5) Turning the thermostat anti-clockwise will decrease the “set” temperature.
- 6) Do not cover the heater at any time during operation. There is a risk of fire if the heater is covered.
- 7) Once you have finished using your heater, turn the power switches off, and the thermostat control switch to the “Low” positions, and unplug from the mains supply.

VI .Circuit diagram



Information requirements for electric local space heaters

Model identifier(s): UHM-876 / UHM-877					
Item	Symbol	Value	unit	Item	unit
Heat output				Type of heat output/room temperature control (select one)	
Nominal heat output	P _{nom}	2.0	kW	single stage heat output and no room temperature control	[no]
Minimum heat output (indicative)	P _{min}	1.0	kW	Two or more manual stages, no room temperature control	[no]
Maximum continuous heat output	P _{max,c}	2.0	kW	with mechanic thermostat room temperature control	[yes]
Power consumption				with electronic room temperature control	
In off mode	P _o	0.0	W	electronic room temperature control plus day timer	[no]
In standby mode	P _{sm}	NA	W	electronic room temperature control plus week timer	[no]
In idle mode	P _{idle}	NA	W	Other control options (multiple selections possible)	
In network standby	P _{nsm}	NA	W	room temperature control, with presence detection	[no]
Standby mode with display of information or status			NO	room temperature control, with open window detection	[no]
Seasonal space heating energy efficiency in active mode	$\eta_{s, on}$	85	%	distance control option	[no]
				adaptive start control	[no]
				working time limitation	[no]
				black bulb sensor	[no]
				self-learning functionality	[no]
				Control accuracy	[no]

Contact details	KALLIOPI KARIDA & CO, LP 87A, 17is Noemvriou str, P.C. 55535, Pylaia, Greece T: +30 2316 006600 www.united-electronics.gr
------------------------	---

NOTICE ABOUT RECYCLING



Your product is designed and manufactured with high quality materials and components which can be recycled and reused.

This symbol means that electrical and electronic equipment, at their end-of-life, should be disposed of separately from your household waste.

Please dispose of this equipment at your local community waste collection/recycling centre. In the European Union there are separate collection systems for used electrical and electronic products.

Please help us to conserve the environment we live in!

DECLARATION OF CONFORMITY

Herewith, Kalliopi Karyda & Co ., LP. states that this product, complies with the requirements of below directives:

EMC-Directive: 14 / 30 / EU

Low Voltage Directive: 14/ 35 / EU

ErP Directive 09 / 125 / EC

CE Marking: 93 / 68 / EEC

RoHS Directive: 11 / 65 / EU & 15 / 863 / EU

The detailed declaration of conformity can be found at

www.united-electronics.gr



Kalliopi Karyda & Co LP

87A, 17is Noemvriou str, P.C. 55535

Thessaloniki – Greece

T: +302316006600 | F: +302316006650

www.united-electronics.gr